



Properties

- Short Ø18 mm housing
- Universal label detection
- Extraordinary fast response
- DC, 2 switching outputs
- Cable version

Technical Data

For detailed data and product description refer to the data sheets at www.pepperl-fuchs.com

General Data

Sensing range	20 ... 60 mm , optimal distance: 45 mm
Transducer frequency	255 kHz
Operating voltage	18 ... 30 V DC , ripple 10 % _{SS}
No-load supply current	< 60 mA
Rated operational current	2 x 100 mA , short-circuit/overload protected
Switch-on delay	≤ 600 μs
Switch-off delay	≤ 600 μs
Input type	TEACH-IN input
LED green	Display: readiness
LED yellow	indication: label detected
LED red	Display: error
Ambient temperature	0 ... 60 °C (32 ... 140 °F)
Material	
Housing	nickel plated brass; plastic components: PBT
Transducer	epoxy resin/hollow glass sphere mixture; polyurethane foam
Protection degree	IP67
Connection type	cable PVC , 2 m



Model Number

Output type	2 switch outputs NPN, NC	ULB-18GM50-255-2E3	ULB-18GM50-255-2E1
	2 switch outputs PNP, NC	●	●

Approvals and Certificates

UL approval	C-UL listed: 57M3, IND CONT. EQ., "Powered by Class 2 Power Source"	●	●
-------------	---	---	---

Dimensions

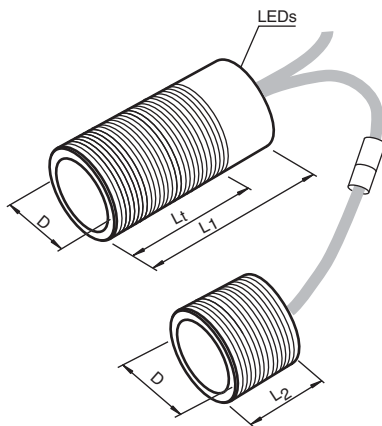
Receiver length L1 [mm]	53
Emitter length L2 [mm]	22
Diameter D [mm]	18
Receiver thread length l _t [mm]	30

Accessories

This and more accessories can be found in chapter 3.5 from page 673
See pages from 972 ... for cordsets See pages 1068 ... for mounting aids

MH-UDB01

Mounting bracket for double sheet monitor

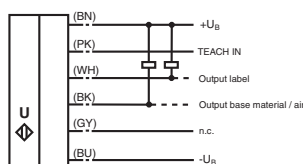


Electrical Connection



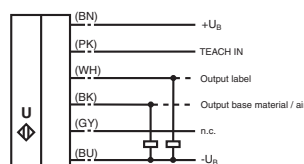
ULB-18GM50-255-2E1

Standard symbol/Connection:
Label monitor



ULB-18GM50-255-2E3

Standard symbol/Connection:
Label monitor



Date of issue 2015-04-08